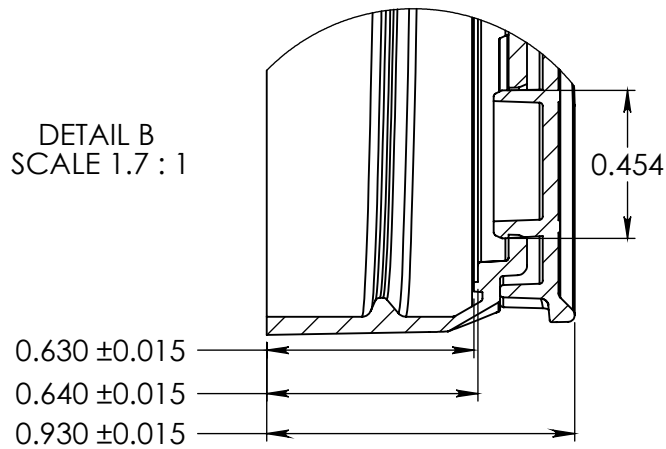
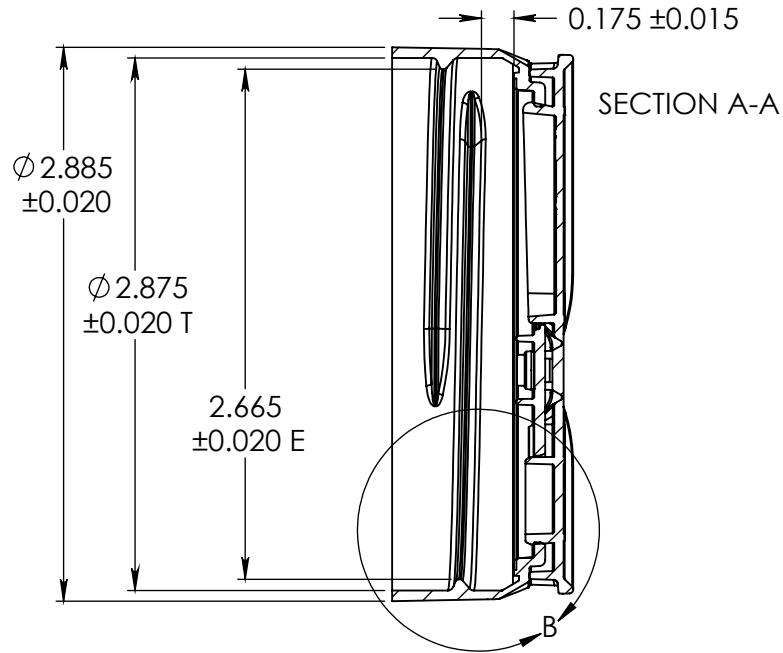


PROPRIETARY AND CONFIDENTIAL

THE INFORMATION CONTAINED IN THIS DRAWING IS THE SOLE PROPERTY OF GATEWAY PLASTICS INC. ANY REPRODUCTION IN PART OR AS A WHOLE WITHOUT THE WRITTEN PERMISSION OF GATEWAY PLASTICS INC. IS PROHIBITED.



TPI = 6

UNLESS OTHERWISE SPECIFIED:		NAME
DIMENSIONS ARE IN INCHES	DRAWN	CEG
TWO PLACE DECIMAL ± 0.015	CHECKED	
THREE PLACE DECIMAL ± 0.005	ENG APPR.	
MATERIAL	MFG APPR.	
POLYPROPYLENE	Q.A.	

GATEWAY PLASTICS, INC.
5650 W COUNTY LINE ROAD, MEQUON, WI 53092

TITLE:
70mm 3 HOLE 2 pc CLOSURE

REVISIONS			
REV.	DESCRIPTION	DATE	APPROVED
A	APPROVED FOR PRODUCTION	5/28/2008	CEG
B	PART GEOMETRY CHANGE	3/25/2010	CEG

DO NOT SCALE DRAWING

SIZE	CAD FILE REF.	REV
A	70mm_base-rev12.05_111908.x_t	B
SCALE: 1:1		SHEET 1 OF 1