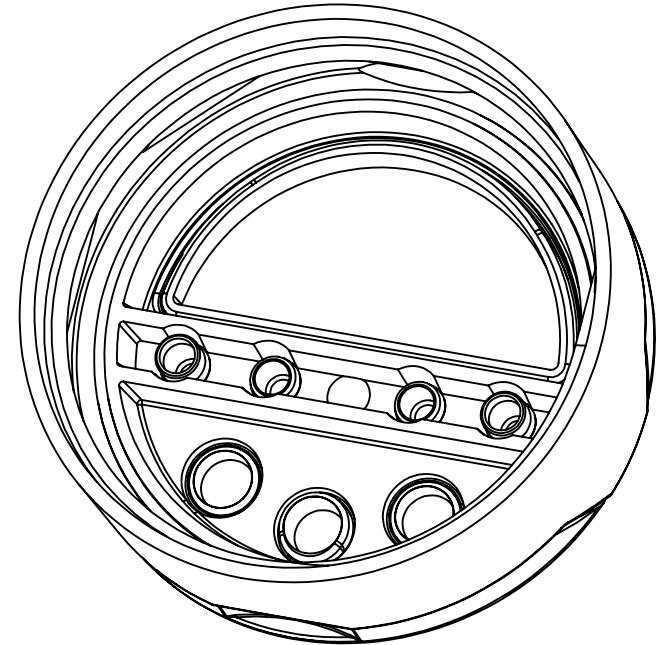
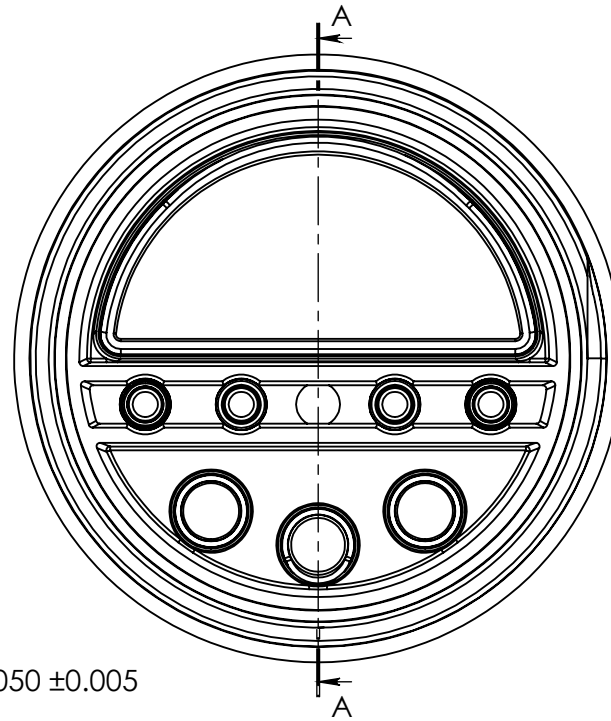
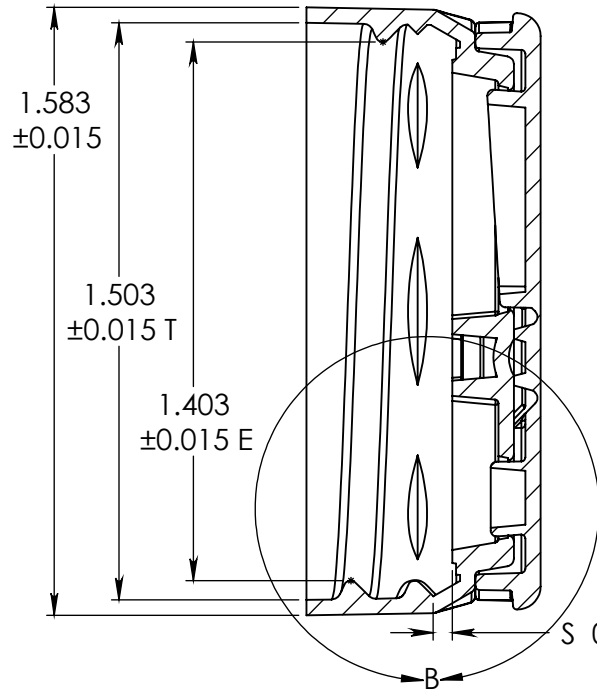


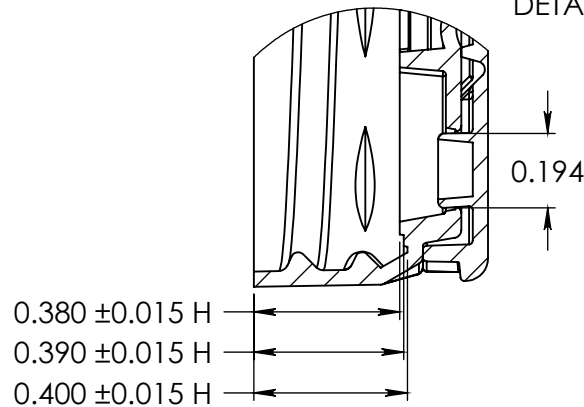
PROPRIETARY AND CONFIDENTIAL

THE INFORMATION CONTAINED IN THIS DRAWING IS THE SOLE PROPERTY OF GATEWAY PLASTICS INC. ANY REPRODUCTION IN PART OR AS A WHOLE WITHOUT THE WRITTEN PERMISSION OF GATEWAY PLASTICS INC. IS PROHIBITED.

SECTION A-A



DETAIL B



TPI = 6

UNLESS OTHERWISE SPECIFIED:		NAME	GATEWAY PLASTICS, INC. 5650 W COUNTY LINE ROAD, MEQUON, WI 53092 TITLE: 38mm 3 HOLE 2 pc CLOSURE
DIMENSIONS ARE IN INCHES		DRAWN	
TWO PLACE DECIMAL ± 0.015		CHECKED	
THREE PLACE DECIMAL ± 0.005		ENG APPR.	
MATERIAL		MFG APPR.	
POLYPROPYLENE		Q.A.	
DO NOT SCALE DRAWING			SIZE: A CAD FILE NO.: 38mm-3-hole-rev1-02.x_t REV: A
SCALE: 2:1			SHEET 1 OF 1

REVISIONS			
REV.	DESCRIPTION	DATE	APPROVED
A	APPROVED FOR PRODUCTION	3/7/2007	CEG