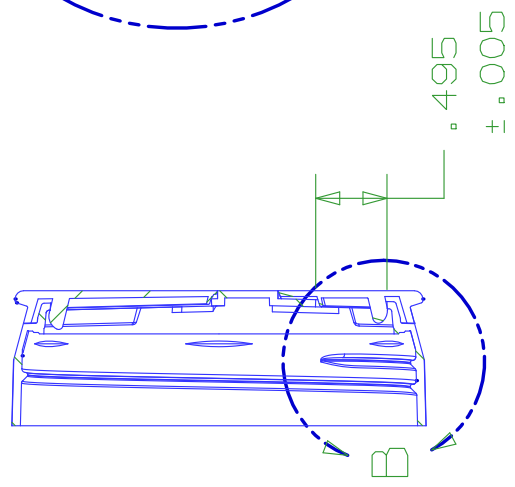
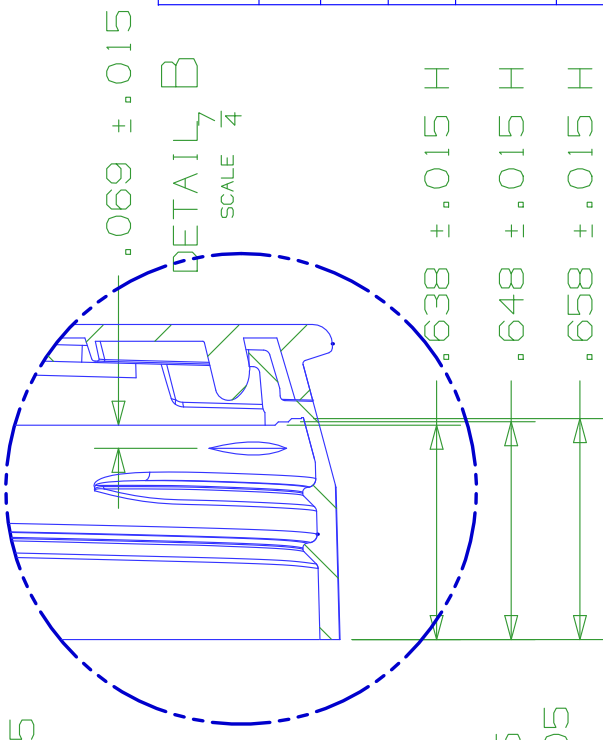
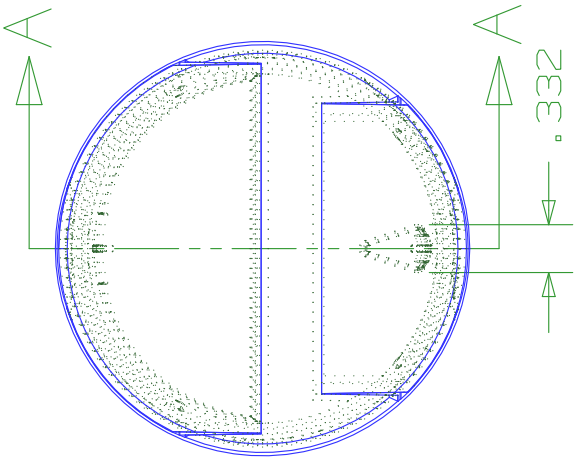
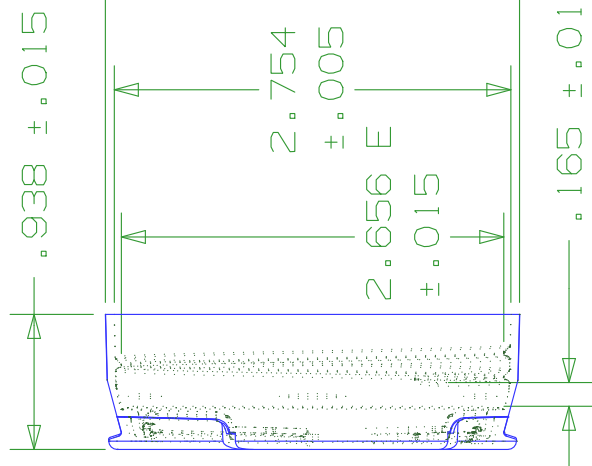
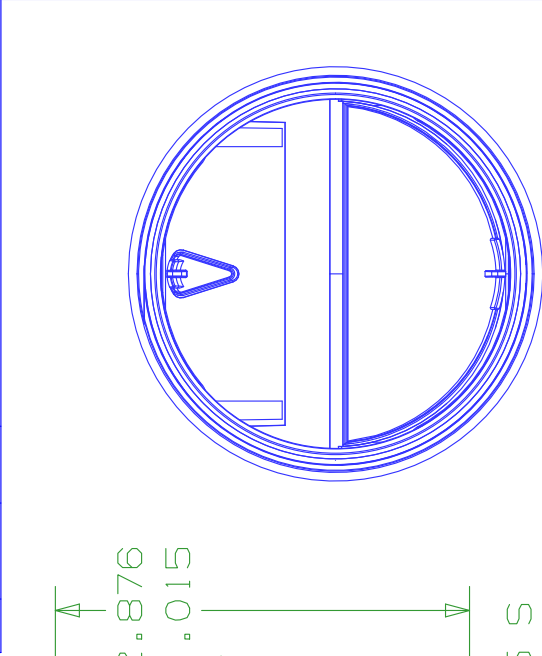


Rev	DATE	By	NOTES
1	6/14/06	JPD	Released drawing



TPI = 6

GPI GATEWAY PLASTICS, Inc.	
5650 W COUNTY LINE ROAD, MEQUON, WI 53092	
PROJ	ACCT TOOL CUSTOMER
PART NAME 70mm Teardrop	
PART NO 70-485-290	
- UNLESS OTHERWISE NOTED -	
.X +/- .03 .XX +/- .015 .XXX +/- .005	
Angle +/- 1deg. Radial .010 Min.	
DATE/EMP	SHT OF REV
6/14/06 JPD	1
DESIGN APP	SHRINK

SECTION A - A

A