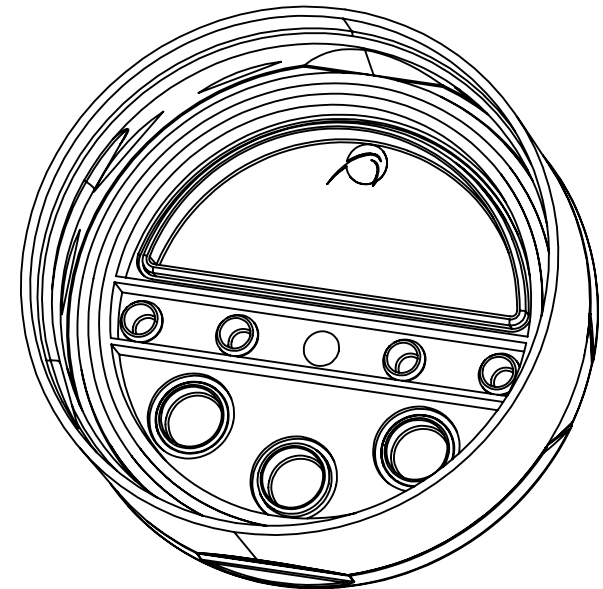
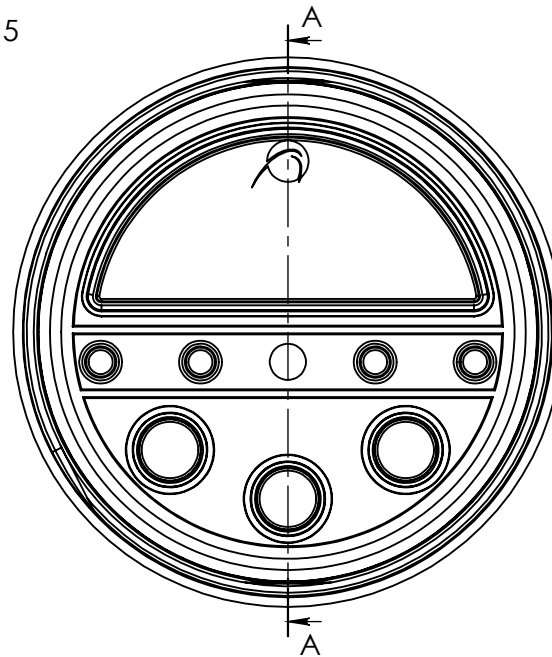
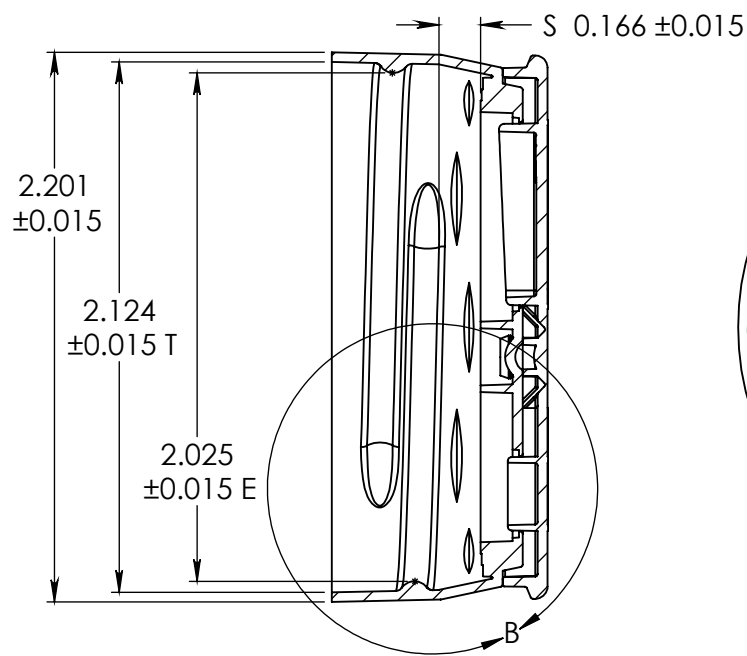


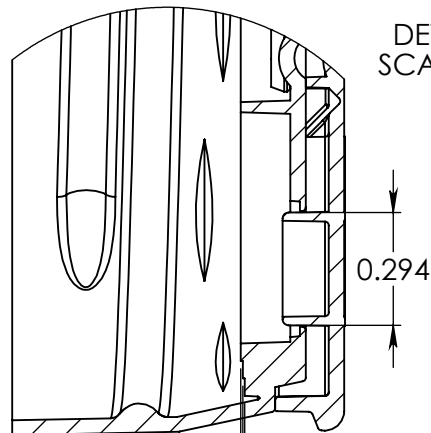
**PROPRIETARY AND CONFIDENTIAL**

THE INFORMATION CONTAINED IN THIS DRAWING IS THE SOLE PROPERTY OF GATEWAY PLASTICS INC. ANY REPRODUCTION IN PART OR AS A WHOLE WITHOUT THE WRITTEN PERMISSION OF GATEWAY PLASTICS INC. IS PROHIBITED.

**SECTION A-A**



**DETAIL B  
SCALE 2 : 1**



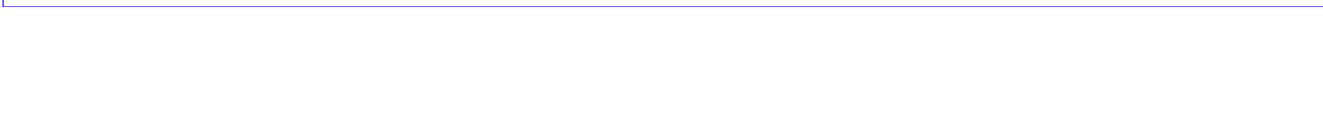
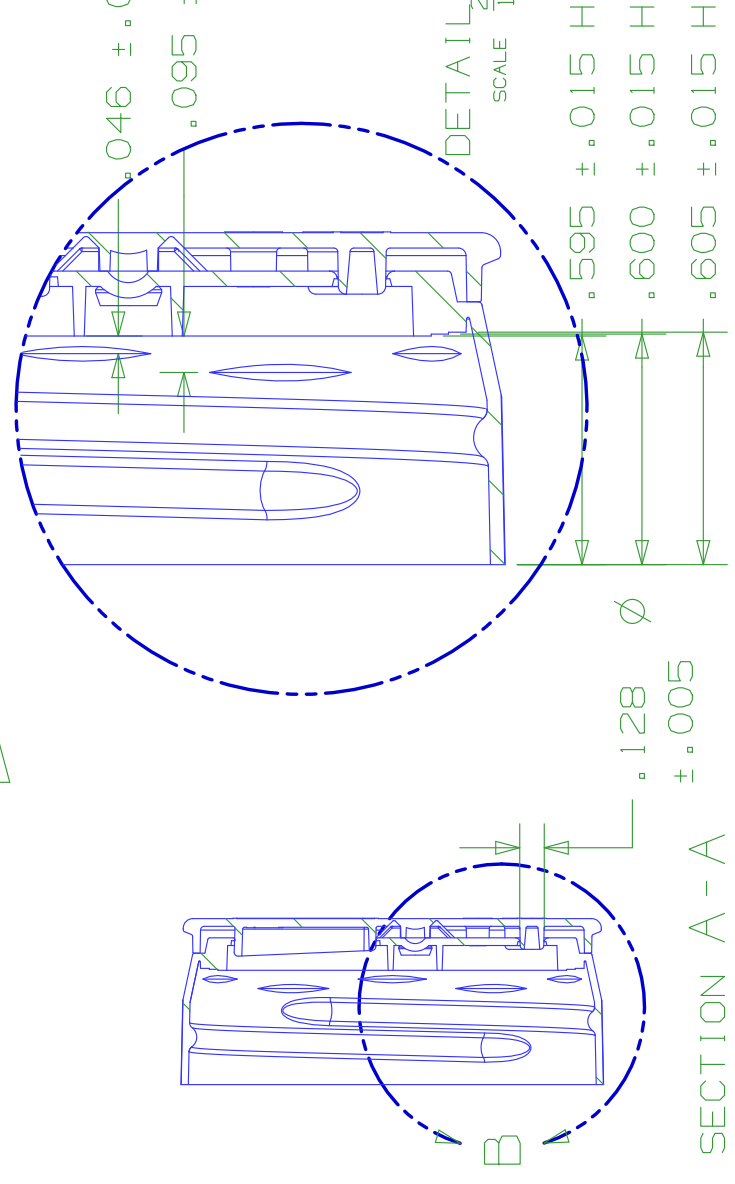
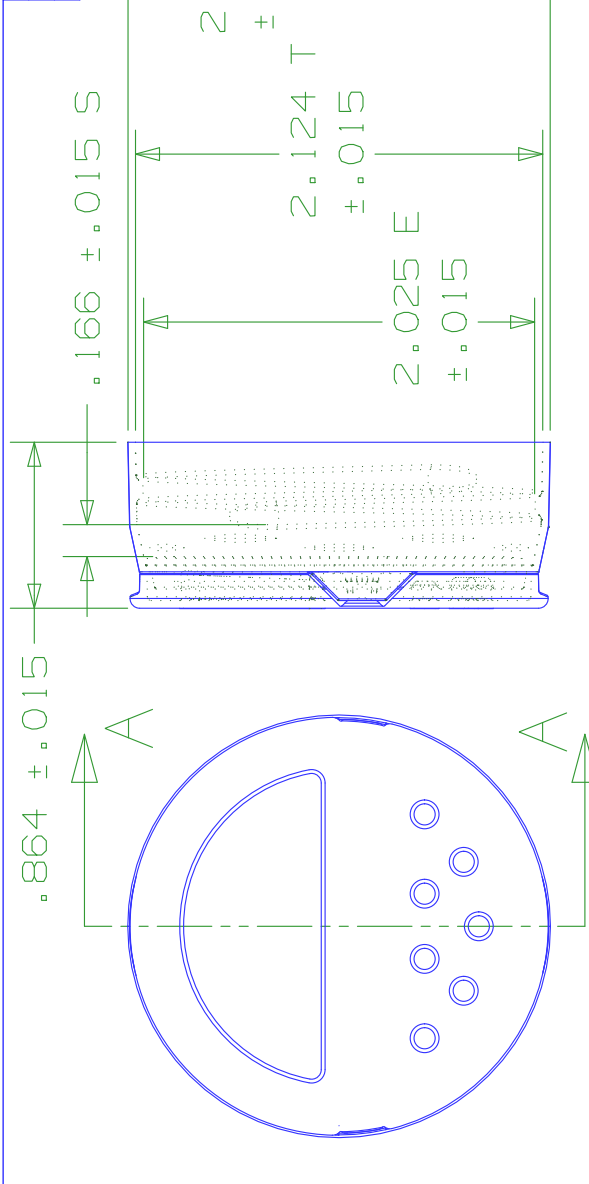
- 0.595 ±0.015 H
- 0.600 ±0.015 H
- 0.605 ±0.015 H

TPI = 6

UNLESS OTHERWISE SPECIFIED: DIMENSIONS ARE IN INCHES TWO PLACE DECIMAL ± 0.015 THREE PLACE DECIMAL ± 0.005		DRAWN	NAME	<b>GATEWAY PLASTICS, INC.</b> 5650 W COUNTY LINE ROAD, MEQUON, WI 53092  TITLE: <b>53mm 3 HOLE 2 pc CLOSURE</b>		
MATERIAL POLYPROPYLENE		CHECKED	CEG			
		ENG APPR.				
		MFG APPR.				
		Q.A.				
		DO NOT SCALE DRAWING		SIZE	CAD FILE NO.	REV
				<b>A</b>	53mm-3-hole-rev1-02.x_t	<b>A</b>
				SCALE: 1.3:1		SHEET 1 OF 1

REVISIONS			
REV.	DESCRIPTION	DATE	APPROVED
A	APPROVED FOR PRODUCTION	6/13/2006	CEG

Rev	DATE	By	NOTES
1	6/14/06	JPD	Released drawing



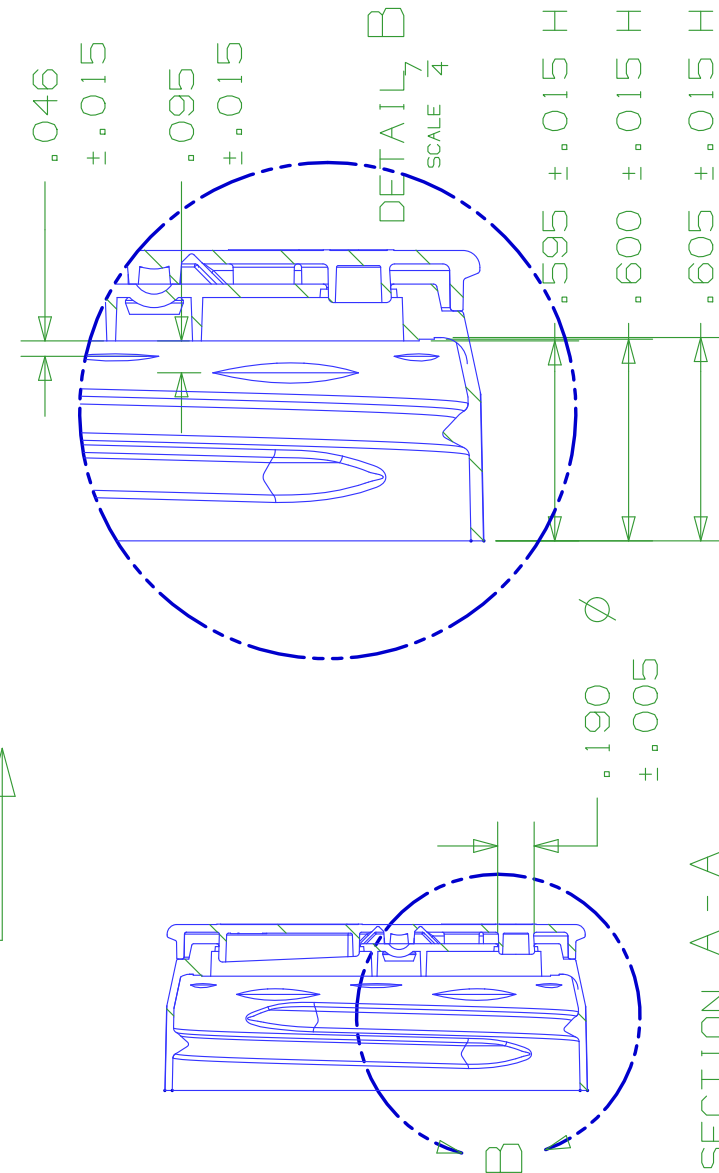
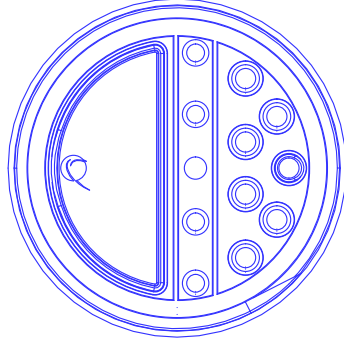
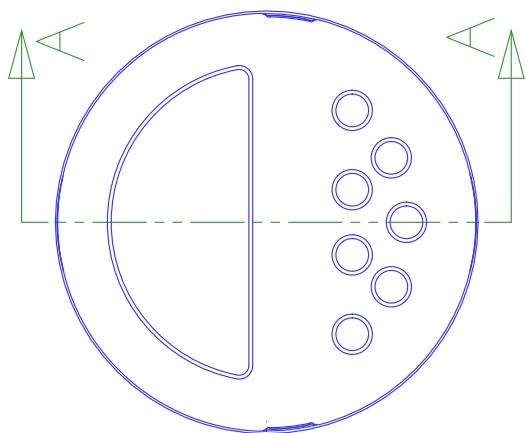
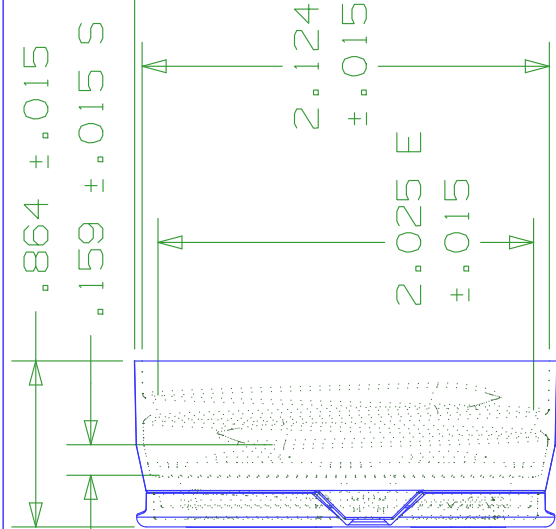
TPI = 6

GPI GATEWAY PLASTICS, Inc.	
5650 W COUNTY LINE ROAD, MEQUON, WI 53092	
PROJ	ACCT TOOL CUSTOMER
PART NAME 53mm 0.125 7-Hole	
PART NO 53-2-485-125	
- UNLESS OTHERWISE NOTED -	
.X +/- .03 .XX +/- .015 .XXX +/- .005	
Angle +/- 1deg. Radial .010 Min.	
DATE/EMP	SHT OF REV
6/14/06 JPD	1
DESIGN APP	SHRINK

A

DETAIL B  
SCALE 1

Rev	DATE	By	NOTES
1	6/14/06	JPD	Released drawing



TPI = 6

GPI GATEWAY PLASTICS, Inc.	
5650 W COUNTY LINE ROAD, MEQUON, WI 53092	
PROJ	ACCT TOOL CUSTOMER
PART NAME 53mm .190 7Hole	
PART NO 153-2-485-190	
- UNLESS OTHERWISE NOTED -	
.X +/- .03 .XX +/- .015 .XXX +/- .005	
Angle +/- 1deg. Radial .010 Min.	
DATE/EMP	SHT OF REV
6/14/06 JPD	1
DESIGN APP	SHRINK

SECTION A - A

A